

Seamless Integration with CATIA® V5!



VERICUT 5.3 offers direct integration with CATIA V5!

Following CATV™, our successful VERICUT interface for CATIA V4, the CATIA V5-to-VERICUT Interface provides a smooth upgrade path for CATIA users who have transitioned to CATIA V5.

The CATIA V5-to-VERICUT Interface tightly integrates the two programs to help you create the most accurate and efficient NC programs possible! It makes simulating, verifying, and optimizing your CNC machining processes faster and easier than ever before!

The interface enables you to start VERICUT directly from CATIA. All stock, fixture, and design geometry is automatically transferred to VERICUT in the correct orientation, along with NC program, tooling, machine and control data and other simulation parameters. VERICUT runs independently of the CATIA process, so you can work simultaneously in the two programs.

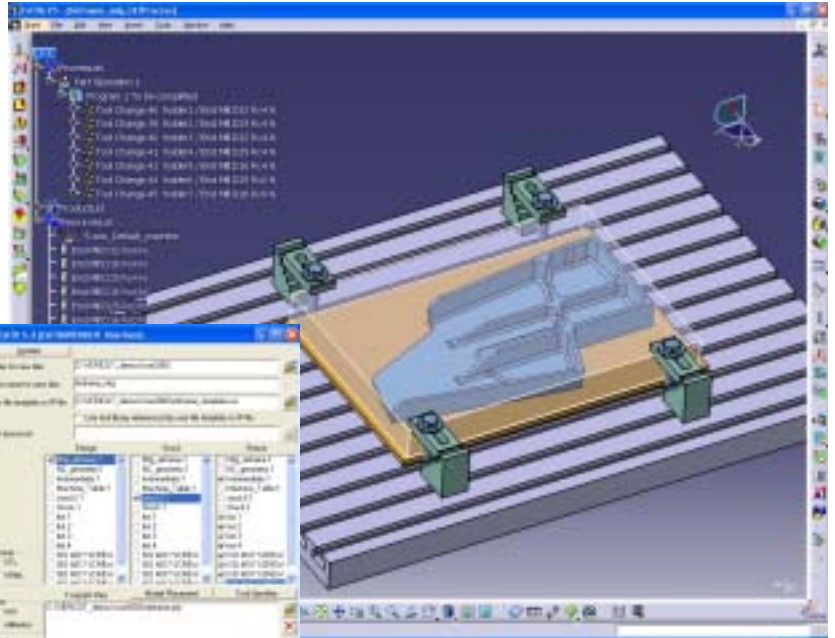
With VERICUT as your simulation package, you can even verify and optimize NC programs from other CAM systems in CL or post-processed G-code format. Additionally, you can choose to verify individual operations, a series of operations, or a set of complete NC programs.

CGTech has been a CAA partner for more than 12 years.

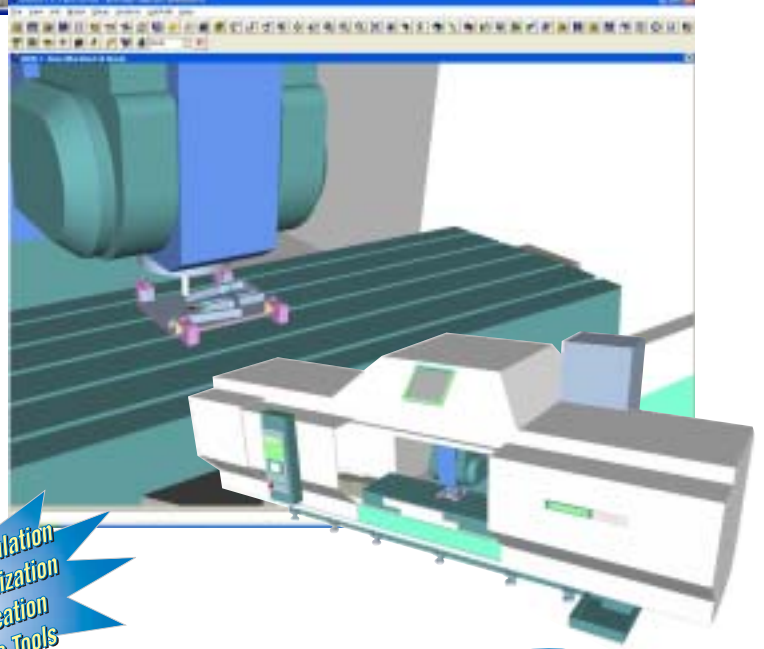


VERICUT®

Software Solutions for Manufacturing



The CATIA V5-to-VERICUT interface starts VERICUT directly from CATIA and automatically transfers all your settings!



9000 Research Drive
Irvine, California 92618
Phone (949) 753-1050
FAX (949) 753-1053
www.cgtech.com

Call or visit our web site for more info